

AT-AM4-1840-18XC

Active Multiplier x4, 18-40GHz Pout=+18dBm

Active X4, 18-40GHz Broadband Pout=+18dBm, 2.92mm

2022-3-22



Description:

AT-AM4-1840-18XC is a broadband frequency multiplier. The multiplier has an input frequency of 4.5-10GHz with a typical output +18dBm from 18-40GHz.

The integrated input and output buffers deliver high output power at a low drive level. The multiplier also has a typical harmonic suppression. The input port is SMA female, and the output is 2.92mm Female. Other port configurations are available under different requirement.

More information, please visit www.atmicrowave.com

Feature

- ✓ Frequency: 18-40GHz
- ✓ Pout: +18dBm typical
- ✓ Input: 4.5-10GHz
- ✓ Low Harmonics

Application

- ✓ 28/39GHz 5G Communication
- ✓ Test Equipment
- ✓ ROF (RF Over Fiber)
- ✓ Radar System

Electronical Specifications:

Parameter	Min	Typical	Max
Input Frequency		4.5-10GHz	
Input Power	0	+3dBm	+6dBm
Multiplier Factor		X4	
Output Frequency	18GHz		40GHz
Output Power	+17dBm	+18dBm	
X3/x5 suppression vs x4 Pout		-15dBc	
Drain Voltage		+5V	+8V
Current		280mA	
Spec Temp		25C	





AT-AM4-1840-18XC

Active Multiplier x4, 18-40GHz Pout=+18dBm

Mechanical Information

Item	Description
Input Port	SMA Female
Output Port	2.92mm Female
Case Material	Copper
Finish	Gold Plated
Weight (Without Heatsink)	80g
Size:	See outline

Absolute Maximum Ratings Table

Parameter	Value
Drain Supply	+13V
RF Input Power	+15dBm
Operating Temperature	-40 to +85C
Storage Temperature	-65 to +150C

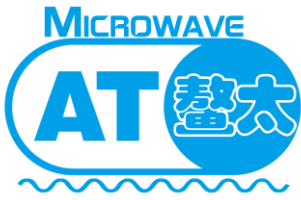
Notes:

- ✓ Datasheet may be changed according to update of MMIC, Raw materials , process, and so on.
- ✓ This data is only for reference, not for guaranteed specifications.
- ✓ Please contact AT Microwave team to make sure you have the most current data.
- ✓ Always pay attention to the temperature of the case, heatsink and fan are required if case temperature exceeds over 50C.

Part Number Selection Guide

Item	Description
PN	Stand Module with DC Power Supply
PN-LCBT	L ow Cost, C ompact B ench- T op, +220V Supply with AC/DC Adapter



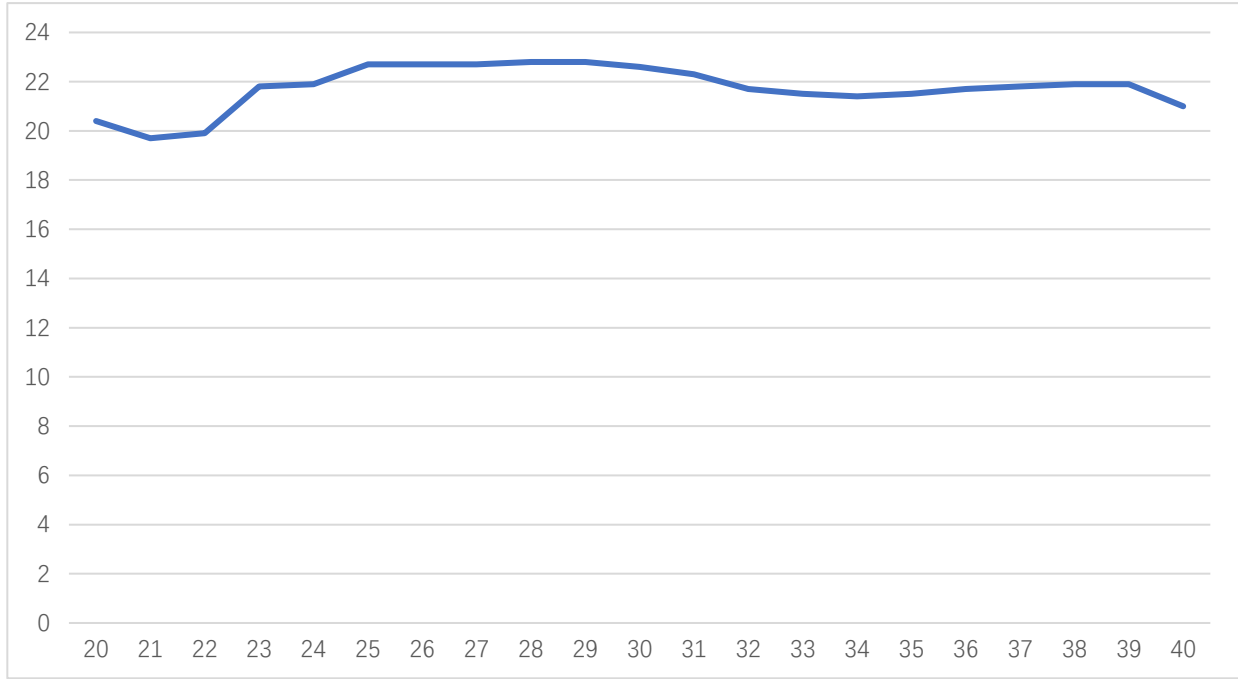


AT-AM4-1840-18XC

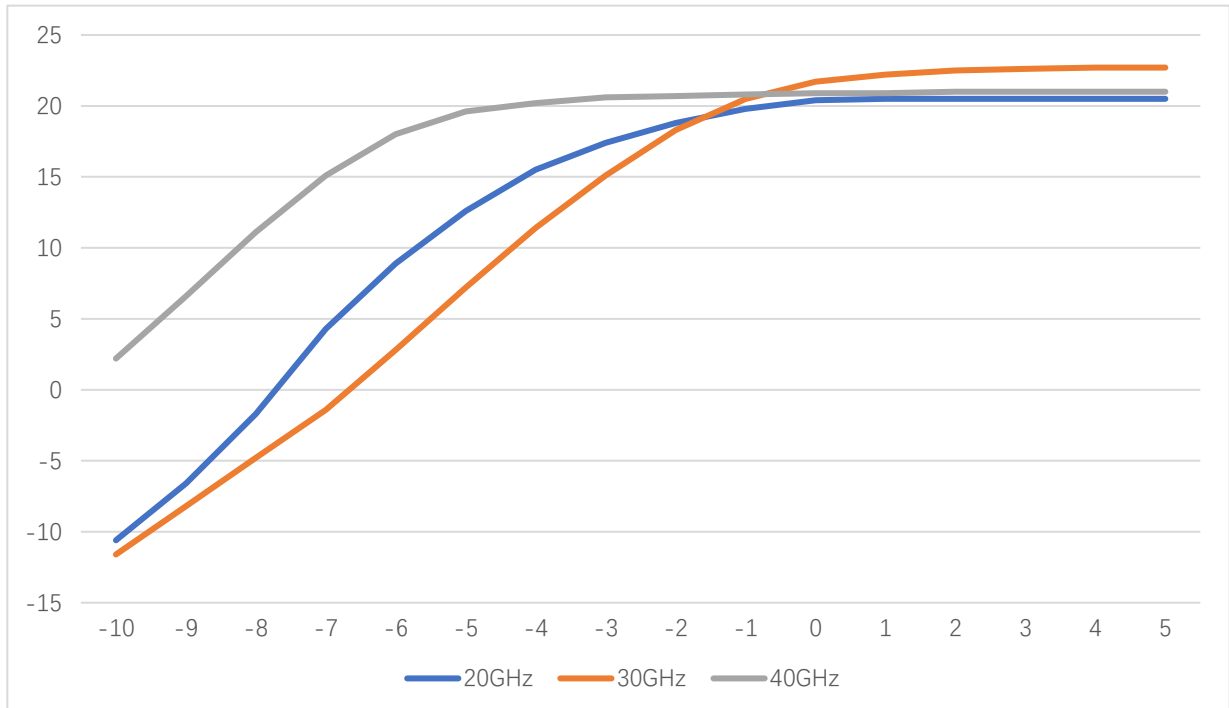
Active Multiplier x4, 18-40GHz Pout=+18dBm

Test Data (25C)

Please note that test curves will vary slightly from unit to unit.

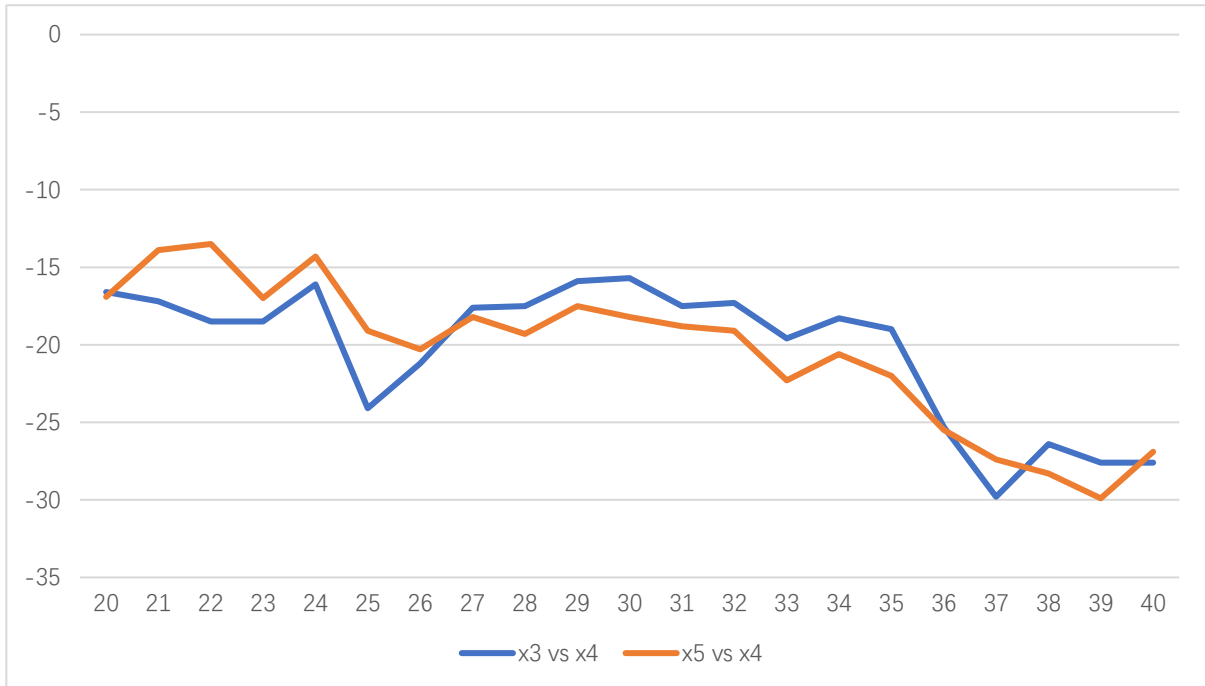


Pout vs Frequency at Pin=+5dBm



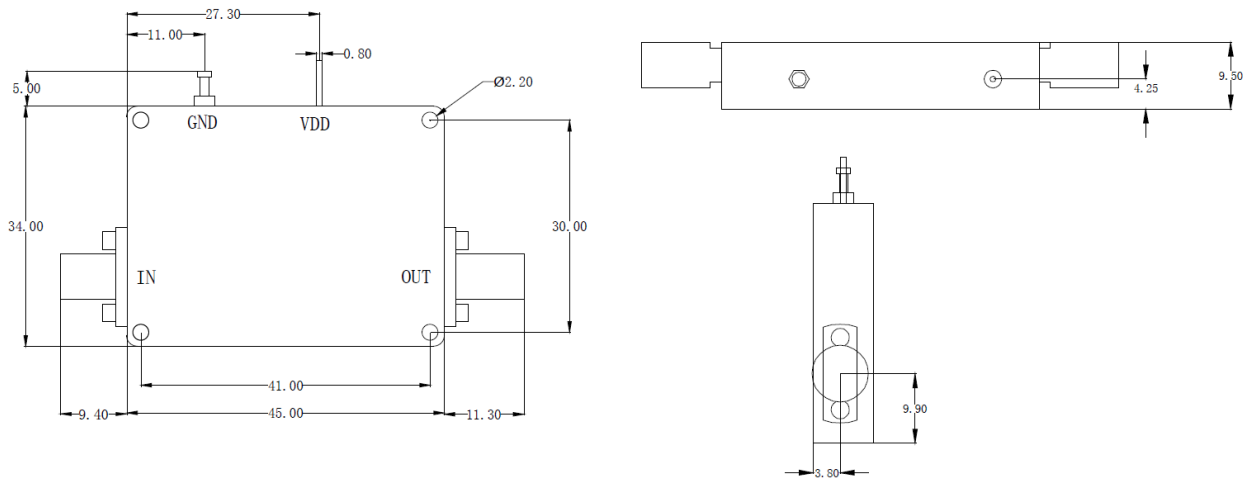
Pout vs Pin at 20/30/40GHz





X3/x5 suppression vs X4 Pout

Dimension: (Unit: mm)



	<26.5GHz	<40GHz	<50GHz	<67GHz
Connector	SMA	2.92mm	2.4mm	1.85mm
Length of a	9.4mm	9.5mm	10.8mm	11.3mm

Note: Female Default. Contact with us for other types.

Heat Sink Required If Case Temp Higher Than 50C

